

## BCS-DMIP3501IR-E-V

Network Dome Camera 5Mpx with lens 2.8mm

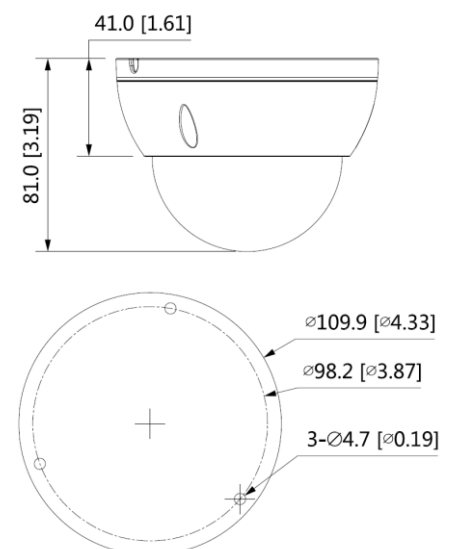


ONVIF®

### Key features:

- Sensor 1/2.7" 5Mpx PS CMOS
- Compression H.265+/H.264+/MJPEG
- Dual stream coding
- IR cut filter with auto-switch ICR
- Functions AGC, AES, AWB, BLC, HLC, WDR(120dB), ROI, 3DNR
- Fixed lens 2.8mm F1.6
- IR range up to 30m
- Built-in web-service, support BCS-NVR, CMS(BCS Manager), mobile app BCS(iOS, android), P2P, Onvif
- Motion detect, privacy masking
- Intelligent functions: crossline, intrusion
- Outside metal casing IP67, IK10
- Edge storage microSD max. 256GB
- Power supply 12V DC i PoE

### Dimensions:



## BCS-DMIP3501IR-E-V

Network Dome Camera 5Mpx with lens 2.8mm

### Specification:

Scanning system	Progressive Scan
System	IP
RAM/ROM	256MB/128MB
Sensor	1/2.7" 5Mpx CMOS
Pixels	2592(H) × 1944(V)
Min. Illumination	0.008Lux/F1.6 (Kolor), 0Lux/F1.6 (IR Wł.)
White balance	(AWB) Auto/manual
Lens	Fixed 2.8mm F1.6
Angle of view	H: 103°, V: 71°
DORI(Detect/Observe/Recognize/Identify)	56m/22m/11m/6m
Backlight compensation	BLC / HLC / WDR(120dB)
Shutter	Auto/manual (1/3~1/100000s)
Gain control	(AGC) Auto/manual
Noise reduction	3D DNR
Motion detect	4 areas
Privacy masking	4 areas
Image rotate	Mirror, flip 90°, 180°, 270°
Focus	Auto
Day/night	IR cut filter with auto-switch ICR
IR	3 leds IR range up to 30m
Video compression	H.265 / H.265+ / H.264 / H.264+ / MJPEG
Resolution	5M(2592×1944) / 4M(2688×1520) / 3M(2048×1536) / 3M(2304×1296) / 1080P(1920×1080) / 1.3M(1280×960) / 720P(1280×720) / D1(704×576/704×480) / VGA(640×480) / CIF(352×288/352×240)
Main stream	5M(1~20fps), 4M/3M/1080P/1.3M/720P(1~25/30fps)
Second stream	D1/VGA/CIF(1~25/30fps)
Bitrate	H.264: 32Kbps~8192Kbps, H.265: 12Kbps~8192Kbps
Network	RJ-45 (10/100Base-T)
Protocols	IPv4; IPv6; HTTP; HTTPS; TCP; UDP; ARP; RTP ; RTSP; RTCP; RTMP; SMTP; FTP; SFTP; DHCP; DNS; DDNS; QoS; UPnP; NTP; Multicast; ICMP; IGMP; NFS; PPPoE; 802.1x; Bonjour
Compatibility	ONVIF(Profil S/Profil G/Profil T);CGI; P2P; Milestone; Genetec
Users	Max 20 logged in
Mobile	iOS, android
Edge storage	microSD up to 256GB
Power supply	DC12V (voltage tolerance ±30%) / PoE(802.3af)
Power consumption	<6.1W
Working environment	-40°C ~ +60°C, ≤ 95% RH
Casing	Metal IP67, IK10
Weight	0.35kg
Dimensions	φ109.9mm×81mm

