

Network Video Recorder

NVR501-B-LP Series



Key Features

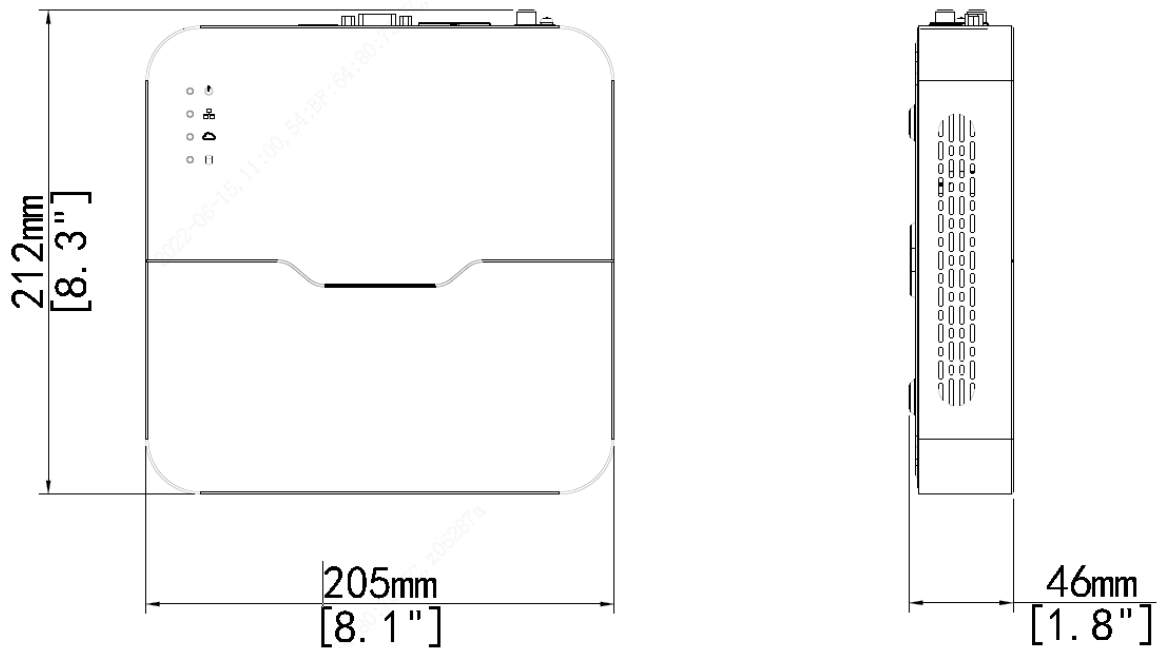
- Support Ultra265/H.265/H.264 video formats
- 4/8-channel input
- Plug & Play with 4/8 independent PoE network interfaces
- Support mainstream cameras of ONVIF conformance(Profile S, Profile G, Profile T) and RTSP protocols
- Support HDMI and VGA simultaneous output
- Up to 8 Megapixels resolution recording
- 1 SATA HDDs, up to 6TB for each HDD
- ANR technology to enhance the storage reliability when the network is disconnected
- Support cloud upgrade

Specifications

Model	NVR501-04B-LP4	NVR501-08B-LP8
Video/Audio Input		
IP Video Input	4-ch	8-ch
Audio Input	1-ch, RCA	
Network		
Incoming Bandwidth	80Mbps	
Outgoing Bandwidth	64Mbps	
Remote Users	128	
Protocols	TCP/IP, P2P, UPnP, NTP, DHCP, PPPoE, HTTP, HTTPS, DNS, DDNS, SNMP, SMTP	
Browser	IE(IE10/11) for Windows Firefox (version 52.0 and above) for Windows Chrome(version 45 and above) for Windows Edge(version 79 and above) for Windows	
Video/Audio Output		
HDMI/VGA Output	HDMI: 4K (3840x2160)@30, 1920x1080p@60, 1920x1080p@50, 1600x1200@60, 1280x1024@60, 1280x720@60, 1024x768@60 VGA: 1920x1080p@60, 1920x1080p@50, 1280x1024@60, 1600x1200@60, 1280x720@60, 1024x768@60	
Recording Resolution	8MP/6MP/5MP/4MP/3MP/1080p/960p/720p/D1/2CIF/CIF	
Audio Output	1-ch, RCA	
Two-way Audio	1-ch, RCA(Using the audio input and output)	
Audio Compression	G.711A, G.711U	
Synchronous Playback	4-ch	8-ch
Liveview display	1/4	1/4/6/8/9
Corridor Mode Screen	3/4	3/4/5/7/9
Snapshot		
FTP/Schedule/Event Snapshot	4-ch snapshot, up to D1 resolution	
Decoding		
Decoding format	Ultra 265/H.265/H.264	
Live view/Playback	8MP/6MP/5MP/4MP/3MP/1080p/960p/720p/D1/2CIF/CIF	
Capability	Ultra 265/H.265: 4 x 4K@30, 6 x 5MP@30, 8 x 4MP@30, 10 x 3MP@30, 16 x 1080p@30 H.264: 2 x 4K@30, 4 x 5MP@30, 6 x 4MP@30, 8 x 3MP@30, 14 x 1080p@30	
Hard Disk		
SATA	1 SATA interfaces	
Capacity	Up to 6TB for each disk	
Smart		
VCA Detection by Camera	Intrusion Detection, Cross Line Detection, Enter Area, Leave Area, Defocus Detection, Scene Change Detection, Object Left Behind, Object Removed, Auto Tracking, SMD(Smart Motion Detection)	
VCA Search	Behavior Search, People Counting Report	
People counting	People Flow Counting, Crowd Density Monitoring	

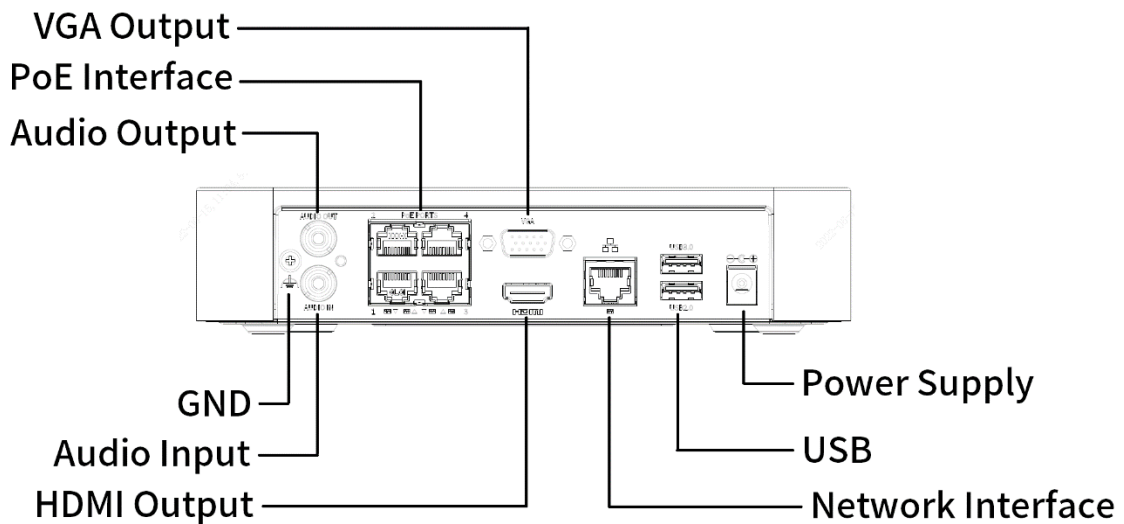
Smart Intrusion Prevention (SIP), SMD by Camera	Total 4-ch	Total 8-ch
General Alarm		
General Alarm	Motion, Tampering, Human Body Detection, Video Loss, Alarm Input, Audio Detection	
Alert Alarm	IP Conflict, Network Disconnected, Disk Offline, Disk Abnormal, Illegal Access, Hard Disk Space Low, Hard Disk Full, Recording/Snapshot Abnormal	
External Interface		
Network Interface	1 RJ-45 10M/100M self-adaptive Ethernet Interface	
USB Interface	Front panel: 1 x USB2.0, Rear panel: 1 x USB3.0	
RS232	NA	
RS485	NA	
Alarm In	NA	
Alarm Out	NA	
PoE		
Interface	4 RJ-45 10M/100M self-adaptive Ethernet Interface	8 RJ-45 10M/100M self-adaptive Ethernet Interface
Max Power	Max 30W for single port Max 50W in total	Max 30W for single port Max 75W in total
Supported Standard	IEEE 802.3af/at	
General		
Power Supply	48V DC/1.35A Power Consumption: ≤ 10W (without HDD)	52V DC/1.8A Power Consumption: ≤ 10W (without HDD)
Working Environment	-10°C~+ 55°C (+14°F~+131°F), Humidity ≤ 90% RH (non-condensing)	
Dimensions (W×D×H)	205mm × 212mm × 46mm (8.1" × 8.3" × 1.8")	
Weight (without HDD)	≤ 0.98Kg (2.16lb)	
Certification		
Certification	CE, FCC, UL, RoHS, WEEE	
CE	EN 55032: 2015, EN 61000-3-3: 2013, EN IEC 61000-3-2: 2019, EN 55035: 2017	
FCC	Part15 Subpart B, ANSI C63.4	

Dimensions



Rear Panel

Take **NVR501-04B-LP4** for example



Zhejiang Uniview Technologies Co., Ltd.

Building No.10, Wanlun Science Park, Jiangling Road 88, Binjiang District, Hangzhou, Zhejiang, China

Email: overseasbusiness@uniview.com; globalsupport@uniview.com

<http://sgcdn.uniview.com>

©2022 Zhejiang Uniview Technologies Co., Ltd. All rights reserved.

* Product specifications and availability are subject to change without notice.